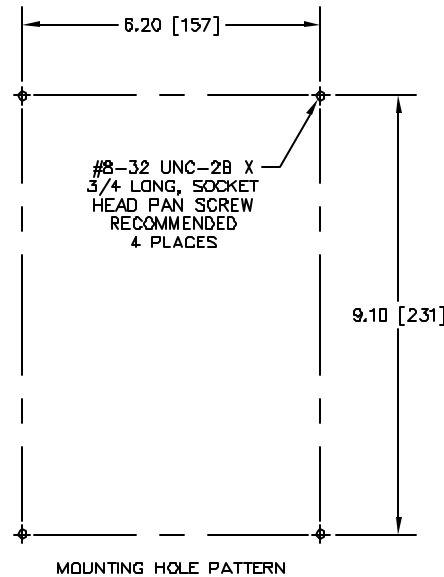
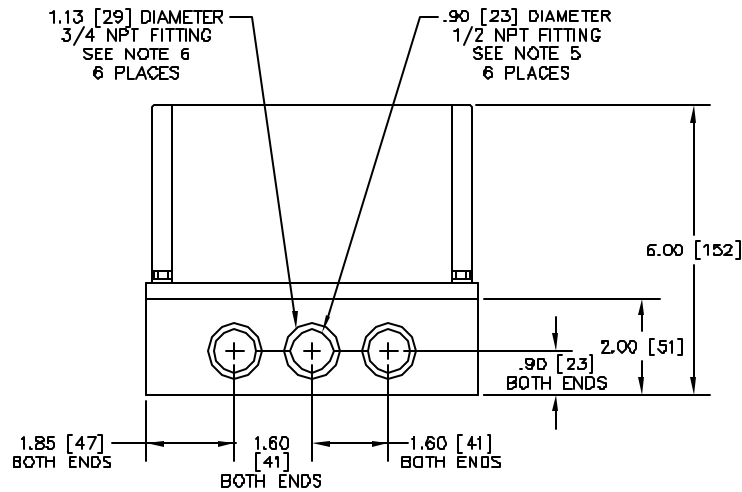
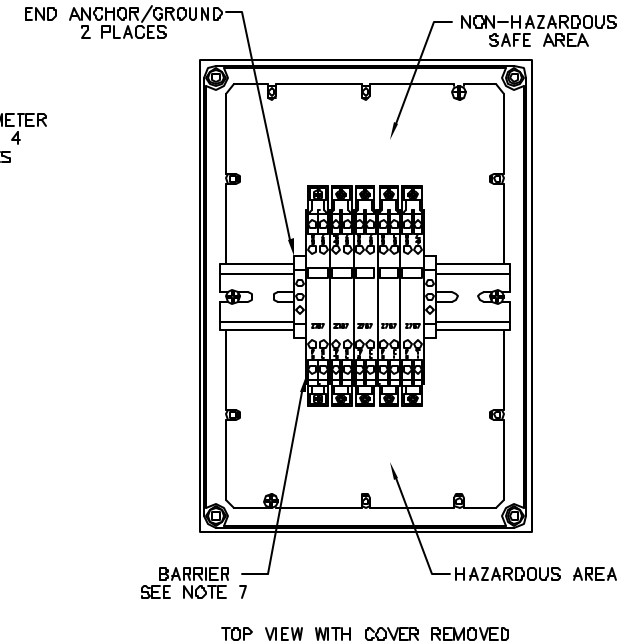
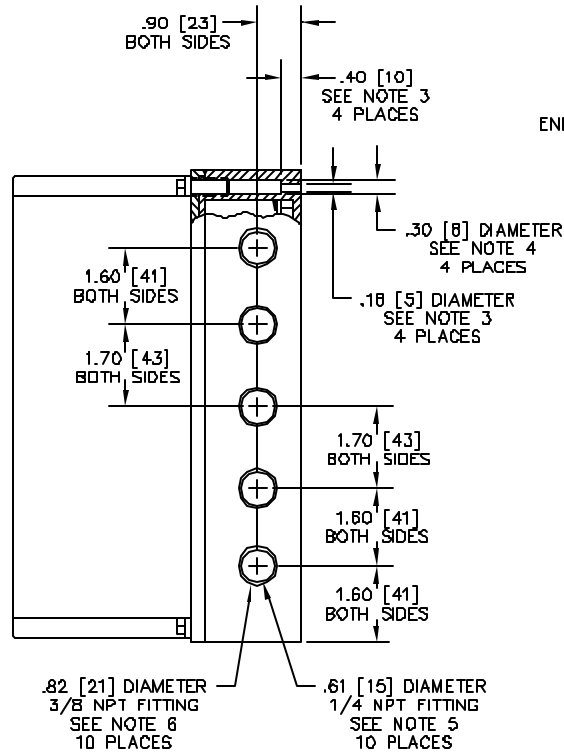
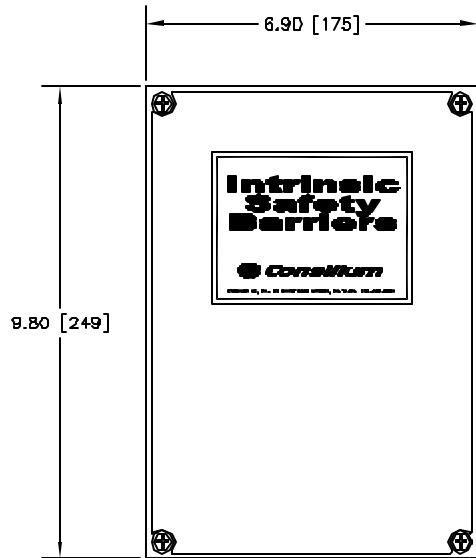


REV	REVISIONS	DATE	APPD
A	ORIGINAL RELEASE	10/99	EDC



- NOTES:
1. WEIGHT: 3 POUNDS [1.4 KILOGRAMS] NO BARRIERS.
 2. ENCLOSURE MATERIAL: POLYCARBONATE
RATINGS: NEMA 4X AND IP 67
FLAMMABILITY: UL 94-V2
 3. MAJOR DIAMETER OF MOUNTING HARDWARE MUST CLEAR THE DIAMETER SHOWN. MOUNTING HARDWARE MUST BE LONGER THAN DIMENSION SHOWN.
 4. HEAD OF MOUNTING HARDWARE MUST CLEAR DIAMETER SHOWN.
 5. INNER KNOCKOUT DIAMETER, FITTING SIZE SHOWN IS THE RECOMMENDED MALE THREAD FOR THIS HOLE, OTHER FITTING SIZES COULD BE USED.
 6. OUTER KNOCKOUT DIAMETER, FITTING SIZE SHOWN IS THE RECOMMENDED MALE THREAD FOR THIS HOLE, OTHER FITTING SIZES COULD BE USED.
 7. INSTALL BARRIERS FROM CENTER OF BOX OUT WITH BLUE AREA (PINS 1, 2, 3 AND 4) POINTING DOWN INTO THE HAZARDOUS AREA AS SHOWN. SECURE BARRIERS WITH END ANCHORS. MAXIMUM OF 11 BARRIERS PER ENCLOSURE.

DIM'S ARE INCHES (mm)		JOWA Consilium	
ALL METRIC DIMENSIONS ARE DERIVED FROM INCHES		OUTLINE AND MOUNTING BARRIER ENCLOSURE	
XX .000	XX .000	DRN: MAP	7/28/99
XXX .000	XXX .000	CHK: EDC	C 1902500
XXXX .000	XXXX .000	APPR: EDC	10/27/99
NEXT ASSY	USED ON	SCALE: 2:1	SHEET 1 OF 1