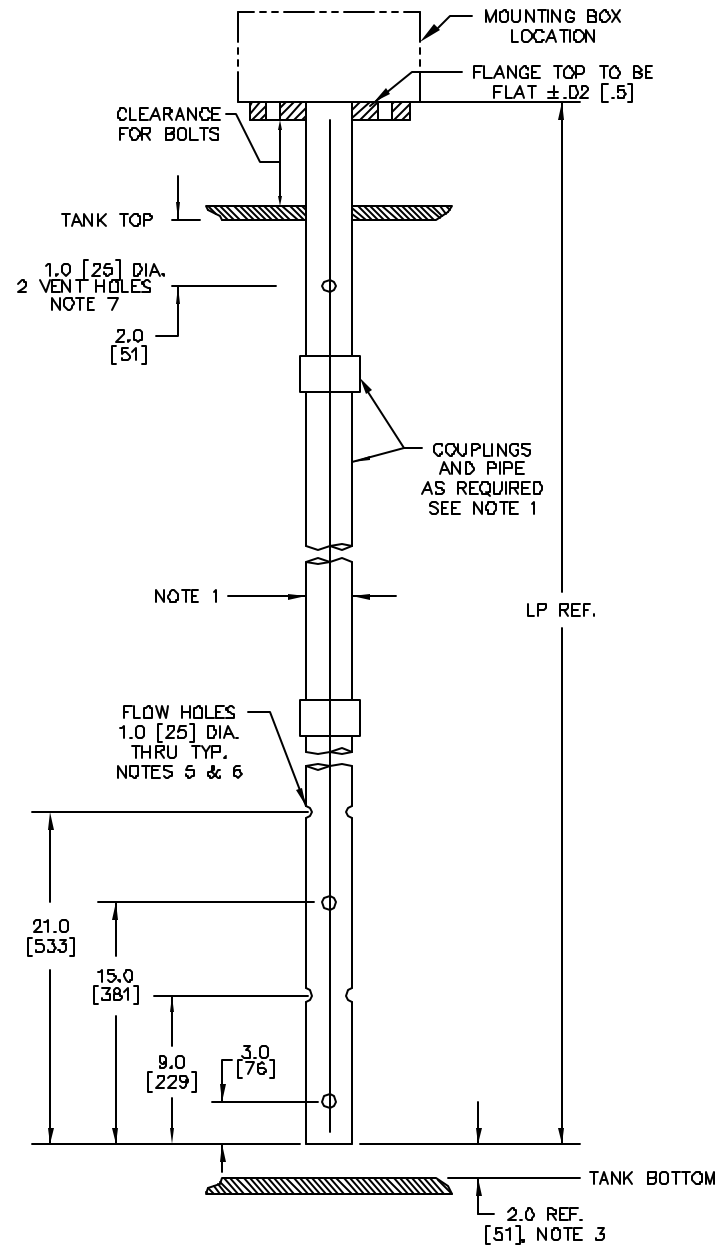
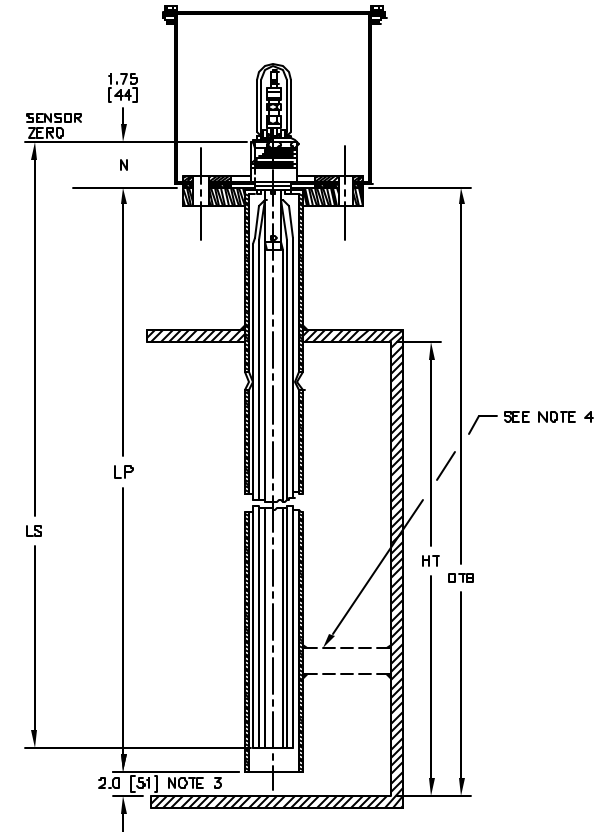


REV	REVISIONS	DATE	APPD
A	ORIGINAL RELEASE PER ECO # 986	6/93	EDC
B	REV PER ECO #2562	10/99	DAS
C	REV PER ECO #2825	2/02	DAS



CONSTRUCTION DETAIL



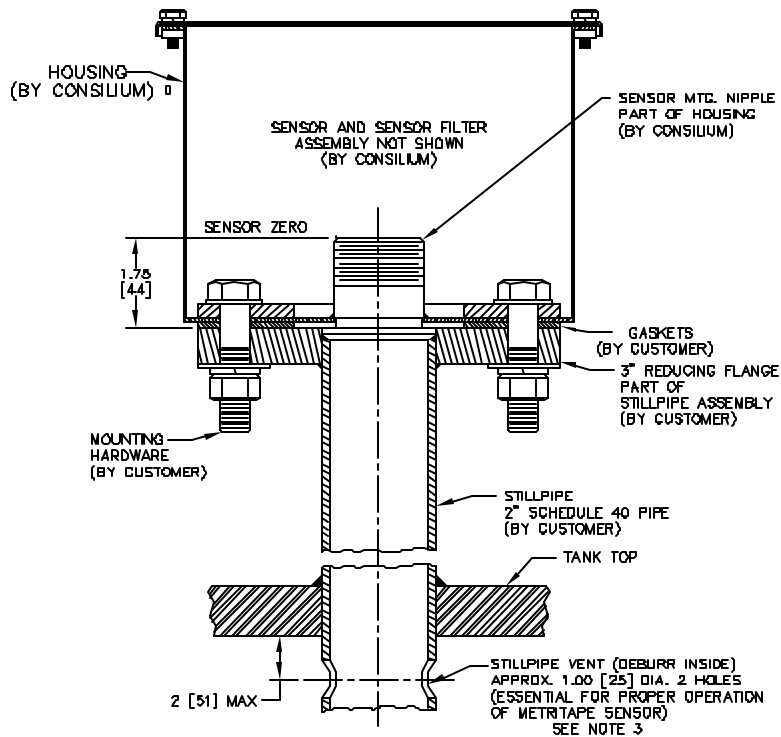
LENGTH DETAIL

- LS SENSOR OVERALL LENGTH (OAL)
- LP STILLPIPE BOTTOM TO MTG. FLANGE FACE
- N NIPPLE LENGTH (MTG. FLANGE TO SENSOR ZERO)
- HT TANK TOP TO TANK BOTTOM
- DTB MTG. FLANGE FACE TO TANK BOTTOM

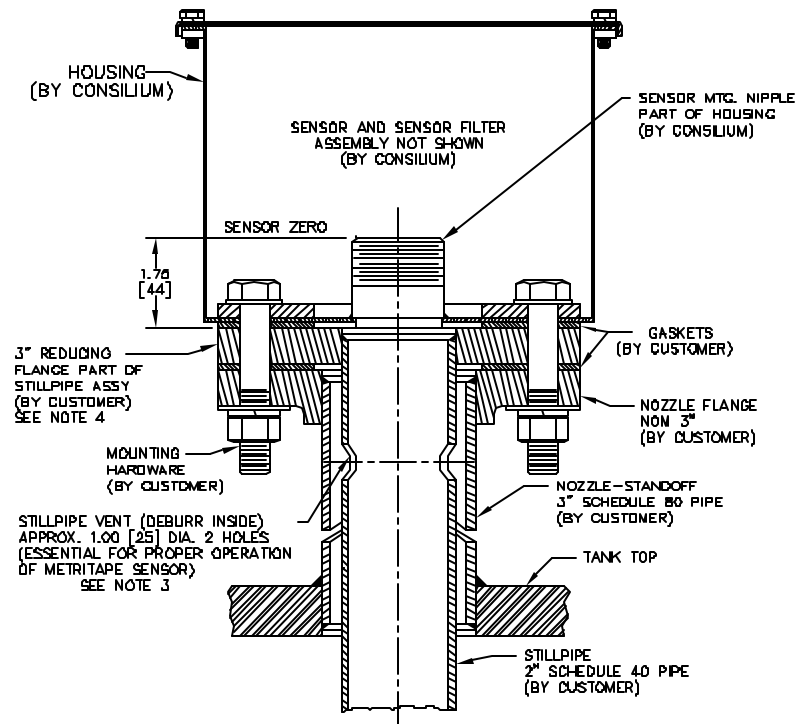
NOTES:

1. MIN. PIPE I.D. = 1.8 [46], MAX. = 4.0 [101]
2. DEBURR ALL HOLES AND CUTS, INSIDE AND OUT.
3. BOTTOM CLEARANCE RECOMMENDED.
4. BRACE PIPE AS NEEDED TO PREVENT WHIPPING.
5. FLOW HOLES REQUIRED TO ALLOW LIQUID ENTRANCE. VISCOUS LIQUIDS REQUIRE ADDITIONAL HOLES.
6. IF TANK CONTAINS IMMISCIBLE LIQUIDS, FLOW HOLES MUST EXTEND ABOVE HIGHEST EXPECTED LIQUID - LIQUID INTERFACE.
7. STILLPIPE MUST HAVE A TOP VENT HOLE RETURNING TO TANK JUST BELOW TANK TOP.
8. PIPE MAY BE ATTACHED DIRECTLY TO TANK, AND/OR INSTALLED THROUGH A NOZZLE AND SUPPORTED BY A REDUCING FLANGE. SEE SHEET 2.
9. MAKE MULTIPLE STILLPIPES THE SAME LENGTH FOR CONVENIENT SPARING OF SENSORS.
10. RECOMMENDED LS=LP.

DIMENSIONS ARE INCHES ALL METRIC DIMENSIONS ARE DERIVED FROM INCHES		JOWA Consulting	
JCS .020	± 1/2"	TYPICAL LANDBASED STILLPIPE FOR CUSTOMER FABRICATION AND INSTALLATION	
JCK .010		DRN DNP	3/23/03
JCC .005		REV.	C
		1677800	
NEXT ASSY	USED ON	APPD: EDC	5/24/03
		SCALE: NONE	SHEET 1 OF 2



DETAIL
STILLPIPE
TANK TOP



DETAIL
NOZZLE
TANK TOP

NOTES:

1. DEBURR AND REMOVE ALL SHARP EDGES FROM INSIDE OF STILLPIPE.
2. INSIDE OF STILLPIPE TO HAVE NO WELD PENETRATIONS OR PROTRUSIONS.
3. PUT DEBURRED HOLES IN STILLPIPE TO ENSURE LIQUID EQUALIZATION.
4. BOTH SIDES OF REDUCING FLANGE MUST BE FACED OFF.

JOWA Consilium		
	C 1677800	REV. C
	SCALE: NONE	SHEET 2 OF 2