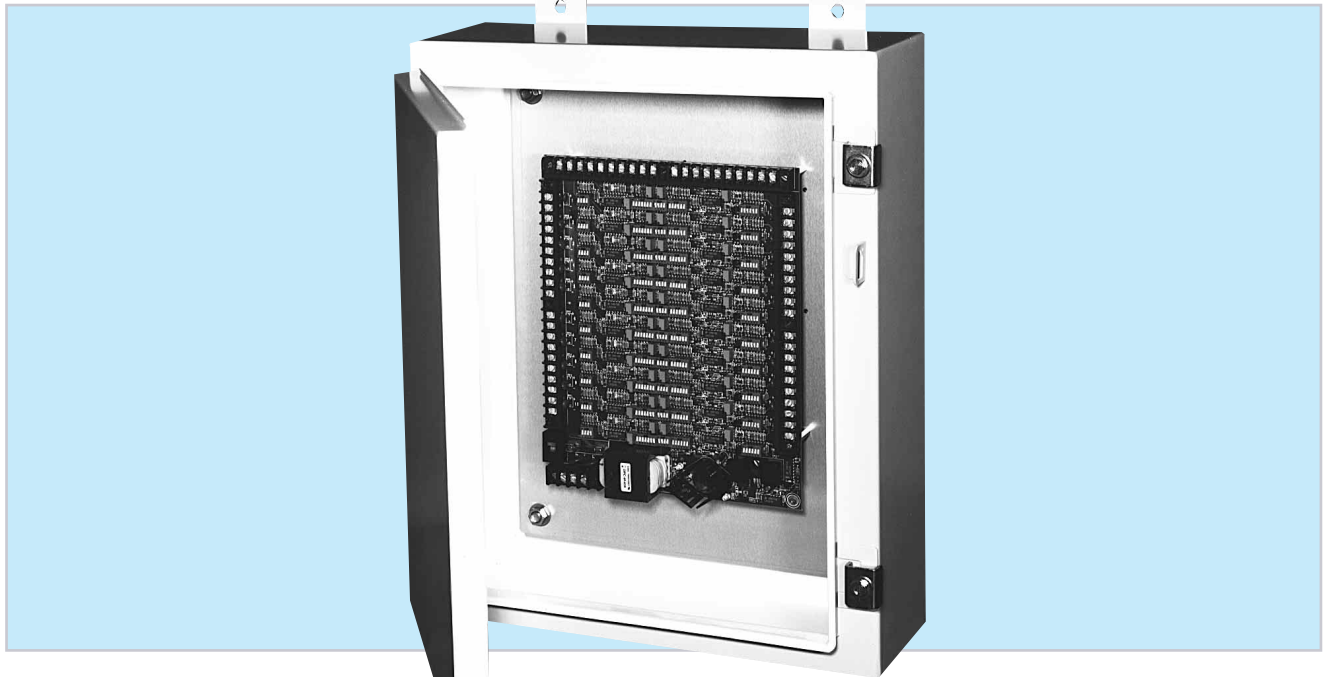


## **Metricircuit™ Series 60,000** Signal Conditioner



### **Features:**

- Centralized signal conditioning for up to 60 channels
- Economical inputs into DCS or other monitoring system
- Two proportional outputs per channel - level or temperature
- Field adjustable calibrations

### **Description:**

The Metricircuit Series 60,000 is a multichannel signal conditioner for use with resistance-tape level and level/temp sensors gauging liquid and slurries. It is intended for central locations where multiple sensor signals can be brought together for signal processing. This central location facilitates calibration and routine system checks providing increased economy and efficiency.

For each level or temperature sensor, resistance inputs are converted to two process outputs, 4-20mA and 0-1mA, which are fully adjustable in the field via DIP switches. All connections are by terminal blocks. Standard line voltage of 115 VAC or 220 VAC is acceptable.

The Metricircuit is designed using printed circuit boards which will handle up to 10 channels each. Any combination of level or temperatures is acceptable. Up to six boards can be mounted in an enclosure. See the back of this data sheet for mounting dimensions.

The Metricircuit 60,000 is designed for wall mounting and is housed in a steel NEMA 12 enclosure. It can be placed up to 1000 feet from resistance-tape sensor locations. For applications requiring level or level/temp sensors to be intrinsically safe, an approved intrinsic safety barrier is used.

*Option: For indication of level or temperatures, a shared digital panel meter and rotary selector switch can be mounted on the enclosure face.*

# Metricircuit™ Series 60,000 Signal Conditioner

## Specifications:

### General

Sensor inputs (channels): 10 per board.  
 Connection: Terminal block.  
 Enclosure capacity: 1, 2, 4 or 6 boards.  
 Enclosure type: NEMA 12 (indoor mounting).

### Input Signals

Resistance range: 630Ω to 31,000Ω.  
 Maximum resistance adjustment: 14 levels (DIP switches).  
 Span adjust range: 30% to 200% of max. resistance.  
 Span adjust: 16 levels (DIP switches).

### Primary Output:

Signal type: 4-20mA, common return.  
 Maximum load impedance: 600Ω.  
 Maximum compliance voltage: 12 VDC.  
 Format:  
 Innage: 4mA at bottom (DIP switch selectable).  
 Ullage: 4mA at top (DIP switch selectable).  
 Fine adjustments: Zero, Span (potentiometers).  
 Minimum temperature span adjustment range:  
 32°F (0° C).

### Secondary Output:

Signal type: 0 - 1mA, common return.  
 Maximum load impedance: 10,000Ω.  
 Maximum compliance voltage: 10 VDC.  
 Format:  
 Innage: 0mA at bottom (DIP switches).  
 Ullage: 0mA at top (DIP switches).  
 Fine adjustments: Zero, Span (potentiometers).  
 Minimum temperature span adjustment range:  
 32°F (0° C).

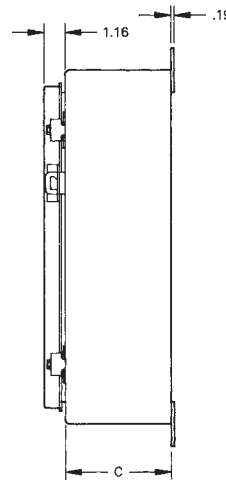
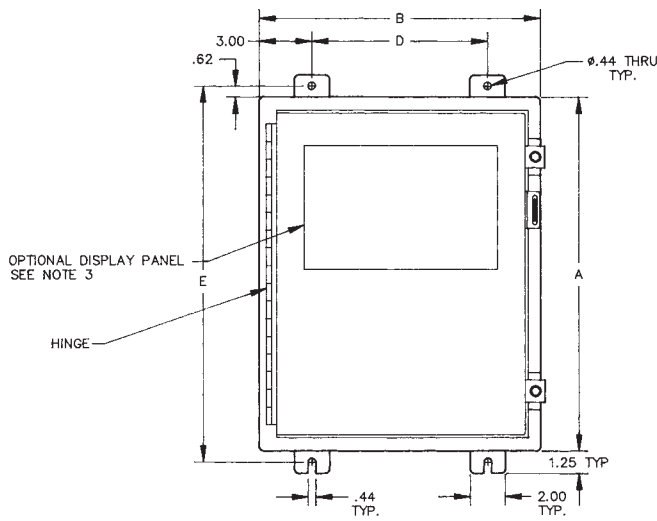
### Power:

Input voltage: 115/230 VAC ± 15% (switch selectable).  
 Frequency: 45 - 400 Hz.  
 Input power: 25 watts maximum.  
 Fuse: 1A (slow blow).  
 Indicators: +18 VDC and -12 VDC LEDs.

### Option:

Shared digital display with rotary selector switch.

## Dimensions:



- NOTES:  
 1. ALL ENCLOSURES HAVE NEMA 12 RATING.  
 2. ALL ENCLOSURES HAVE HINGE ON LEFT SIDE OF DOOR.  
 3. ENCLOSURES WITH OPTIONAL DISPLAY PANEL HAVE DEPTH (DIMENSION C) OF 8.00 INCHES.

MODEL	MAXIMUM		DIMENSIONS (INCHES) SEE NOTE 3				
	BOARDS	CHANNELS	A	B	C	D	E
610XX	1	10	20.00	18.00	8.00	10.00	21.25
620XX	2	20	36.00	24.00	8.00	18.00	36.25
640XX	4	40	36.00	30.00	8.00	24.00	36.25
660XX	6	60	36.00	36.00	8.00	30.00	36.25

### Disclaimer:

This is not a specification and all information is provided in good faith. Since conditions of use are beyond the control of Consilium US, Inc., the information contained herein is without warranty, whether express, implied or otherwise. Final determination as to the suitability, merchantability or fitness of any information, material or product for a particular purpose, or any patent infringement, is the sole responsibility of the user. Consilium US, Inc. does not assume liability for injury arising from the use of the information, material or product, and assumes no liability for any damages, whether direct, indirect, consequential, special, incidental, punitive or otherwise. For additional information regarding Consilium US, Inc.'s limited warranty, refer to the Terms and Conditions that are currently in effect.



**Consilium US, Inc.**

59 Porter Road

Littleton, MA 01460-1431 USA

Tel: 978-486-9800 Toll free: 800-861-1560

Fax: 978-486-0170 E-mail: info@consiliumus.com